



COREMO OCMEA S.P.A.

Via Galilei, 12 - 20090 Assago (MI) - Italy

Tel. +39 024880697 Fax +39 024881940

www.coremo.it info@coremo.it

User and Maintenance Manual

FAILSAFE HYDRAULIC BRAKE ID 900N

Model ID 900N-15

Model ID 900N-30



ISO 9001 - Certificate N°0238

Translation of the original instructions
EN 140729 REV. 1.1



	User and Maintenance Manual <i>Failsafe hydraulic brake ID 900N</i>		Model ID 900N-15 Model ID 900N-30
	Date: 2014/07/29	Revision: 1.1	www.coremo.it

TABLE OF CONTENTS

1.	Introduction	3
2.	Manufacturer	3
3.	General information.....	3
4.	Warnings	5
5.	Technical data	6
5.1.	Product performance	6
5.2.	Brake lining wear	6
5.3.	Special note	7
6.	Transport and storage.....	7
7.	Installation.....	8
8.	Operation	10
8.1.	Power feed of the safety component	10
8.2.	Improper use	10
9.	Maintenance and cleaning	11
9.1.	Restoring the play	11
9.2.	Replacement of the lining pads and cleaning the friction surfaces.....	11
9.3.	Changing the sealing rings.....	12
9.4.	Changing the cup springs (ID 900N-30kN)	13
9.5.	Changing the cup springs (ID 900N-15kN)	14
9.6.	Periodic maintenance.....	16
10.	Spare parts list.....	16

	User and Maintenance Manual <i>Failsafe hydraulic brake ID 900N</i>		Model ID 900N-15 Model ID 900N-30
	Date: 2014/07/29	Revision: 1.1	www.coremo.it

1. Introduction

The purpose of this manual is to provide the user with all the information necessary to use the product properly, independently and as safely as possible.

This manual constitutes an integral part of the safety features and must be read in its entirety before installation and use of the product. It must therefore be kept in a safe place should future reference be necessary before proceeding with any kind of work.

The user is strongly advised to read it carefully and to follow the rules and procedures contained in it as these provide important information concerning safe use and maintenance.

If any doubt should arise concerning the correct interpretation of the instructions, contact our technical department for the necessary clarification.

It is prohibited for anyone to disclose or modify the content of this manual or to use it for personal purposes.

2. Manufacturer

COREMO OCMEA S.P.A.

Via Galilei, 12 - 20090 Assago (MI) - Italy

Tel.: +39 024880697 Fax: +39 024881940


e-mail: info@coremo.it

3. General information

Correct use of the product: In compliance with Italian Legislative Decree 17/2010 and DIRECTIVE 2006/42/EC the operating limits for perfect and safe use of the product are stated in this manual.

Design parameters: COREMO OCMEA brakes have been designed in compliance with the norm UNI EN ISO 12100:2010 and to satisfy the performance requirements and conditions stated in the catalogue and in Chapter 5 of this manual.

Model selection: Selection of the correct model for a given application is of basic importance. In the case of failsafe brakes the service factor must not be less than 2. The technical department of COREMO

	User and Maintenance Manual <i>Failsafe hydraulic brake ID 900N</i>		Model ID 900N-15 Model ID 900N-30
	Date: 2014/07/29	Revision: 1.1	www.coremo.it

OCMEA can provide you with information, suggestions and assistance regarding correct application and use.

Use: Following the mounting and maintenance instructions prevents costly down time and accidents due to incomplete knowledge of the product. Please note that the initial torque may be from 30% to 50% less than the rated value until the brake lining adjusts to the disc.

Rotating parts: The brakes are coupled mainly with rotating parts. In this case the moving parts must be protected in conformity with the requirements of DIRECTIVE 2006/42/EC and Italian Legislative Decree 17/2010 or equivalent legislation in force in the countries in which they are used.

Power source for hydraulic brakes: Use mineral oil SAE/ISO 46.

Spring loaded failsafe brakes: Spring loaded failsafe brakes must be handled with special care because they contain mechanically preloaded springs. In order to avoid the risk of accidents during maintenance work, it is necessary to follow the instructions in this manual.


Friction material: All COREMO OCMEA brakes are fitted with friction material which is absolutely free of asbestos and is declared as NON toxic/harmful in full observance of health and environment regulations and laws. In any case it is better not to inhale dust produced by them and to wash hands thoroughly before eating or drinking.

Oils, greases, lubricating components: These are used in extremely limited quantities. Personnel suffering from allergies to these substances are advised to wear gloves or use protective cream which must be washed off thoroughly before eating or drinking.

Cleaning of the product: Do not wash the product with water or any detergent.

Product markings: All the data on the plates must always be kept legible. Use the data shown on the plates when contacting the manufacturer for spare parts, information or assistance for example.

Disposal: Worn brake linings and other materials of which brakes are made are classified as special NON toxic/harmful products and therefore must be disposed of in accordance with the laws in force in the countries in which they are used.

	User and Maintenance Manual <i>Failsafe hydraulic brake ID 900N</i>		Model ID 900N-15 Model ID 900N-30
	Date: 2014/07/29	Revision: 1.1	www.coremo.it

4. Warnings



Failure to follow the instructions in this manual and on any plates attached to the product exposes persons to risks and may cause damage to the equipment and machinery.

- The product must not be used at an ambient temperature lower than -20 °C.
- The disc must be made of iron alloy (cast iron or steel) having a hardness in the range 190 to 220 HB.


The technical department of COREMO OCMEA can provide additional information in order to ensure correct application and use of the product.

Dangers caused by a power failure: A power failure will cause the brake to be applied suddenly. It is therefore necessary to provide an uninterrupted power supply or, if the case requires, use suitable power failure warning systems as a brake failure may cause personal injury and damage to property.

Danger of breakage during operation: To reduce the risk of breakage during operation carry out the periodic inspections shown in this manual.

Risks connected with changes in operating conditions: The products are designed for the purposes stated in this user and maintenance manual therefore the minimum power supply pressure is indicated to ensure that the brake can be opened and the maximum pressure to ensure that braking is always safe and reliable. The operating conditions also vary depending on the diameter of the brake disc used; an equation for calculating the dynamic torque as a function of disc diameter is given in this manual. It should be stressed that an error in calculation will result in a braking torque that is different from the desired value and this may represent a risk to safety.

Residual risk: Residual risk can be attributed to the operator not following all the procedures stated in the user and maintenance manual and not giving due consideration to the warnings.

	User and Maintenance Manual <i>Failsafe hydraulic brake ID 900N</i>	Model ID 900N-15 Model ID 900N-30
	Date: 2014/07/29	Revision: 1.1

5. Technical data

5.1. Product performance

The type "ID 900N" failsafe hydraulic brakes differ basically in terms of the tangential force provided; the table below shows the tangential force for each brake type applying a coefficient of friction of 0.4

Warning: The value of the friction coefficient is purely theoretical as it depends on environmental conditions and on how the product is used.

TYPE	Tangential force
ID 900-15	15000 N
ID 900-30	30000 N

The hydraulic failsafe brake is intended exclusively for emergency stops or holding stops.



Use of the product for any purpose other than those indicated may represent a risk to any aspect of safety.

▪ Dynamic torque

The dynamic torque provided by the brake will be a function of the diameter of the disc used and can be determined using the following equation:

$$\text{Dynamic torque [Nm]} = \text{tangential force [N]} \times (\text{radius of the disc [m]} - 0.054)$$




An error in calculation will result in a braking torque different to the desired value and a risk to aspects of safety.

The technical department of COREMO OCMEA can provide information, suggestions and assistance for correct application and use of the product.

5.2. Brake lining wear



The thickness of each single new lining is 14 mm. A maximum overall lining wear of 16 mm is allowed. Failure to remain within the above limit may represent a risk to aspects of safety.

	User and Maintenance Manual <i>Failsafe hydraulic brake ID 900N</i>		Model ID 900N-15 Model ID 900N-30
	Date: 2014/07/29	Revision: 1.1	www.coremo.it

5.3. Special note

During braking kinetic energy is converted into heat caused by friction between the surfaces of the brake linings and the brake disc. It is therefore fundamentally important to consider the amount of heat that can be dissipated.



Ignoring the heat produced during braking affects brake lining wear and may jeopardize the safety of the operators and the reliability of the product. Since a brake can be used for many applications it is advisable to contact the technical department of COREMO OCMEA for further explanation in this regard.

6. Transport and storage



Personnel assigned to this work must wear suitable PPE such as gloves, safety footwear and take any other precautions necessary before proceeding with transport, handling and storage of the this part.

1. **Transport:** When handling it is important to bear in mind the dimensions and weight of each type of product as shown in the product drawing enclosed with this manual and in the catalogue of the brake type in question.
2. **Storage:** When storing brakes it is important to bear in mind that a considerable weight is concentrated in a small space. Personnel assigned to this work must wear suitable PPE (safety footwear, gloves, etc.) in order to avoid the risk of injury.

7. Installation



THE BRAKE MUST BE INSTALLED WITH THE MACHINE OFF.

Personnel assigned to this work must wear suitable PPE such as gloves, safety footwear and take any other appropriate precautions to ensure adequate protection and avoid the risk of injury.

1. The ID 900N brake must be installed on a bracket having the same thickness as the disc (Figure 1). The brake must be anchored using two M24 class 12.9 screws and tightening torque of 1150 Nm. The fixed part which is to support the brake must withstand a tangential force which depends on the brake type: 33000 N for the ID 900N-30 brake (A3962/A3964) or 16500 N for the ID 900N-15 brake (A3965/A3967).

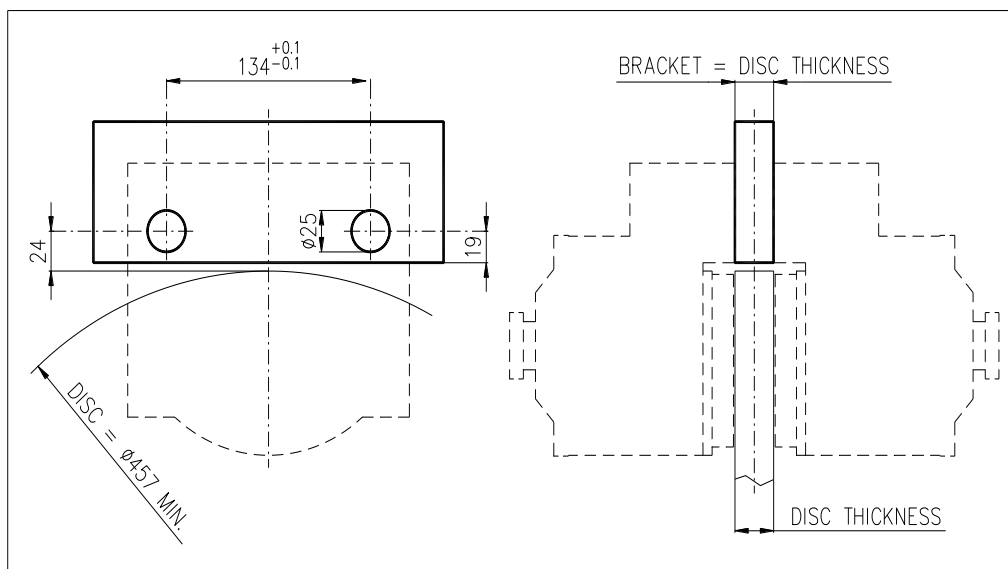


Figure 1

2. Connect the brake to the power line using a 1/4" gas fitting. The brake can be supplied on request complete with Ø8 pipe fitting (H0045) already connected
3. Pay attention to the control pressure; this must not exceed 200 bar, while the minimum opening pressure must not be less than 100 bar for the ID 900N-30 brake and than a 50 bar for the ID 900N-15 brake. The brake must be powered exclusively using mineral oil hydraulic fluid.



Do not apply the brake without the disc positioned between the brake linings; failure to follow this rule could result in fingers being crushed and other dangers in addition to damage to the brake itself.

4. Power up the brake and remove the safety hook (C62160) from the seat of the thruster which protrudes from the cover. To prevent the safety hook from getting lost while the brake is in operation, attach it to the side part of the caliper block using the TCEI M4x16 screw (C61364) as you can see from the assembly drawing enclosed with this manual (use a CH BR 3).
5. The brake is supplied with a bleed vent (Z50315). To bleed air out of the circuit, loosen the retaining nut of the fitting and pull the tubular cap outward. After bleeding off the air tighten the fitting again (Figure 2).



Personnel assigned to these operations must take special care, working cautiously when bleeding the circuit, wearing suitable PPE such as gloves, goggles and safety footwear and taking any other precautions necessary before proceeding.

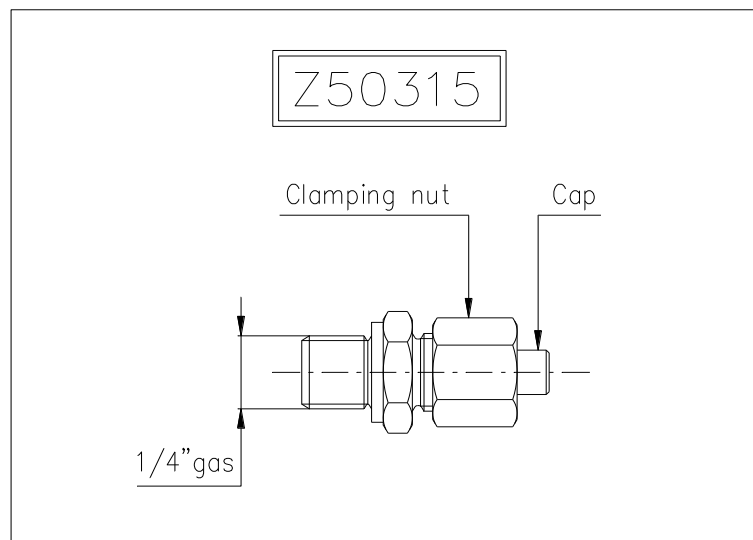



Figure 2

6. Restoring the play
 - Power up the brake and bleed the air from the oil circuit through the bleeding device (Z50315), as described in point 5.
 - With the brake powered up rotate the play adjuster (D71297) in the clockwise direction using a CH BR 6, until a play of 1 mm is obtained between the disc and each brake lining.

Pay particular attention during this regulation because rotating the gap regulator (D71297) anticlockwise, this could tighten inside the thruster (D71296) and get definitely stuck.

7. Safety lock of the wear adjuster: to prevent the wear adjuster from rotating or moving while the brake is in operation due to machine vibration, each brake unit (K9.....) has two safety grub screws (C61575) to lock the adjuster (D71297), located in the part of the thruster which protrudes from the cover (seat of the safety hook); see also the assembly drawing (A.....) to find the positions of the grub screws. To lock and/or unlock the adjuster, tighten and/or loosen

	User and Maintenance Manual <i>Failsafe hydraulic brake ID 900N</i>		Model ID 900N-15 Model ID 900N-30
	Date: 2014/07/29	Revision: 1.1	www.coremo.it

the grub screws using a CH BR 2.5; when doing this, with the brake in operation or during maintenance, the safety hook (C62160) must not be inserted in the seat of the thruster (D71296), otherwise the operation cannot be carried out.

8. **BEDDING-IN:** The initial braking torque may vary from 30% to 50% less than the rated value until the lining has bedded into the disc.

8. Operation

8.1. Power feed of the safety component

The control pressure of the hydraulic brake must not exceed 200 bar, while the minimum opening pressure must not drop below 100 bar for the ID 900N-30 brake and must not be less than 50 bar for the ID 900N-15 brake. The brake must also be powered exclusively using mineral oil hydraulic fluid.



In case the minimum opening pressure of the brake results lower than the one indicated, stop immediately the machine and change the cup springs. This check is necessary to avoid compromising any safety aspect.

The technical department of COREMO OCMEA can provide information, suggestions and assistance for correct application and use of the product.

To check the minimum opening pressure it is possible to use a hydraulic hand pump by performing the following step:


1. Connect the brake to a manual hydraulic pump.
2. Power up the brake with the hand pump.
3. Check that the pressure indicated by the manometer of the pump at the opening of the brake is the same as the one previously indicated.
4. In case the minimum opening pressure of the brake results lower than the one indicated, stop immediately the machine and change the cup springs.

8.2. Improper use

The products considered here must be used exclusively as described in chapter 5 of this manual. Any other use is to be considered improper. The manufacturer declines all responsibility for damage caused by improper or unreasonable use of the product.



Use of the product for purposes other than those stated in this manual may compromise any aspect of safety.

	User and Maintenance Manual Failsafe hydraulic brake ID 900N		Model ID 900N-15 Model ID 900N-30
	Date: 2014/07/29	Revision: 1.1	www.coremo.it

9. Maintenance and cleaning



ALL TYPES OF WORK ON THE BRAKE MUST BE DONE WITH THE MACHINE OFF.

Staff assigned to this work must wear suitable PPE such as gloves and safety footwear and take any further precautions necessary to ensure adequate protection and prevent injury. Failure to follow the instructions given for maintenance and cleaning of the product may compromise personal safety and cause damage to equipment and machinery.



High temperatures may be produced after braking on the surfaces of the disc brake and the brake linings. Personnel must therefore wait for parts subject to overheating to cool down and wear suitable protective gloves and PPE.

9.1. Restoring the play


1. With the brake powered up, loosen two safety grub screws (C61575) placed in the external part of the cover (seat of the safety hook) and rotate the play adjuster (D71297) in the clockwise direction using a CH BR 6, until the optimal play of 1 mm between the disc and each lining has been restored.

Pay particular attention during this regulation because rotating the gap regulator (D71297) anticlockwise, this could tighten inside the thruster (D71296) and get definitely stuck.

2. Following this operation, retighten the two safety grub screws (C61575) in order to prevent possible rotations and movements of the wear adjuster during operation of the brake.

9.2. Replacement of the lining pads and cleaning the friction surfaces

1. Power up the brake and insert the safety hook (C62160) in its seat of the thruster which protrudes from the cover. Once the hook has been inserted the pressure can be removed from the brake. ***(Remove the brake from the machine only if necessary; in this case proceed as described from point 1 to point 3 of section 9.3)***
2. Loosen the screws (C61379) which anchor the plates (C62174) to the brake and extract the brake lining guide pins (C62173), without removing the other screws (C61379) which connect the plates to the pins.
(If the brake has been removed skip this point)
3. Remove the lining pads (Z50342 or Z50359) pulling the backing plate outward until it is released from the magnet (C62307) incorporated in the play adjuster (D71297).

	User and Maintenance Manual <i>Failsafe hydraulic brake ID 900N</i>		Model ID 900N-15 Model ID 900N-30
	Date: 2014/07/29	Revision: 1.1	www.coremo.it

4. Remove any oil or grease from the surface of the disc using a non-pollutant detergent product.
5. If the brake linings are contaminated only on the surface it is a good idea to clean them using fine emery cloth. If they are contaminated in depth or worn to the limit replace them with new linings.
6. Put back the lining pads attaching them to the magnet (C62307).
7. Align the holes of the brake body (E80880) and the backing plate in which the guide pins will be inserted. Re-insert the guide pins (C62173) in their housings and anchor the plates (C62174) to the body using the screws (C61379) previously removed.
(If the brake has been removed skip this point)
8. Power up the brake and remove the safety hook (C62160). ***(If the brake has been removed from the machine proceed as described from point 19 to point 21 of section 9.3)***


9.3. Changing the sealing rings

1. Power up the brake and insert the safety hook (C62160) in its seat of the thruster which protrudes from the cover.
2. Cut off the control pressure and disconnect the power line.
3. Remove the brake from the machine.
4. Reconnect the power line and power up the brake.
5. Remove the safety hook (C62160).
6. Cut off the control pressure and disconnect the power line.
7. Remove the lining pads as described in point 3 of section 9.2.
8. Unscrew the anchoring screws (C61450) in a diagonal sequence, remove the cover (D71295) and the cup springs (C62223).



Take special care during these operations as the brake contains preloaded springs, proceed therefore gradually with the utmost care and attention so that they are completely released and do not jeopardize any aspects of safety.

9. Remove also one shim C62159 for the ID 900N-30 brake and three shims C62159 for the ID 900N-15 brake.
10. Remove the play adjuster (D71297) from the thruster.
11. Carefully remove the thruster (D71296) from the brake body (E80880) carefully allowing compressed air to enter from the feed hole until the thruster has come out completely.
12. Remove the damaged gaskets and guide rings and replace them. It is advisable to replace all the gaskets and all guide rings to avoid further down time. COREMO OCMEA provides a complete kit with 4 gaskets and 2 guide rings.
13. Put back the thruster (D71296) and play adjuster (D71297).
14. Put back the cup springs: for the ID 900N-30 brake proceed as described from point 4 to point 6 of section 9.4; for the ID 900N-15 brake proceed as described from point 4 to point 6 of section 9.5.

	User and Maintenance Manual <i>Failsafe hydraulic brake ID 900N</i>		Model ID 900N-15 Model ID 900N-30
	Date: 2014/07/29	Revision: 1.1	www.coremo.it

15. Put back the cover (D71295) on the brake body (E80880) using the screws (C61450) and washers (C61320). Tighten the M8 class 10.9 (C61421) screws in a diagonal sequence with a tightening torque of 34 Nm.
16. Connect the power line, power up the brake and insert the safety hook (C62160) in its seat on the thruster which protrudes from the cover.
17. Cut off the control pressure and disconnect the power feed line.
18. Put back the lining pads re-attaching them to the magnet (C62307) incorporated in the play adjuster (D71297).
19. Reinstall the brake on the machine.
20. Reconnect the power feed line and power up the brake.
21. Remove the safety hook (C62160) and bleed air from the circuit as described in point 5 of section 7.

9.4. Changing the cup springs (ID 900N-30kN)

1. Remove the brake from the machine proceeding as described from point 1 to point 6 of section 9.3.
2. Carefully unscrew the anchor screws (C61450) in a diagonal sequence and remove the cover (D71295).



Take special care during these operations as the brake contains preloaded springs, proceed therefore gradually with the utmost care and attention so that they are completely released and do not jeopardize any aspects of safety.

3. Remove one shim C62159 and the cup springs C62223. Replace all the cup springs, including those which might seem in good condition (replace also the shim only if necessary).
4. Clean any excess grease from the bottom of the cover and the thruster.
5. Lubricate the cup springs and the part of the thruster where they are housed with copper paste MOLYguard COMPOUND RA/40 (or similar), before proceeding with reassembly.
6. Insert ten cup springs C62223 and one shim C62159 into the piston (D71296).



Position the cup springs correctly so that they do not affect the good operation of the brake (Figure 3). Incorrect assembly will result in a tangential force different to what is stated in this manual; the braking torque provided by the safety component will consequently be different to what is desired and to the detriment of safety aspects.

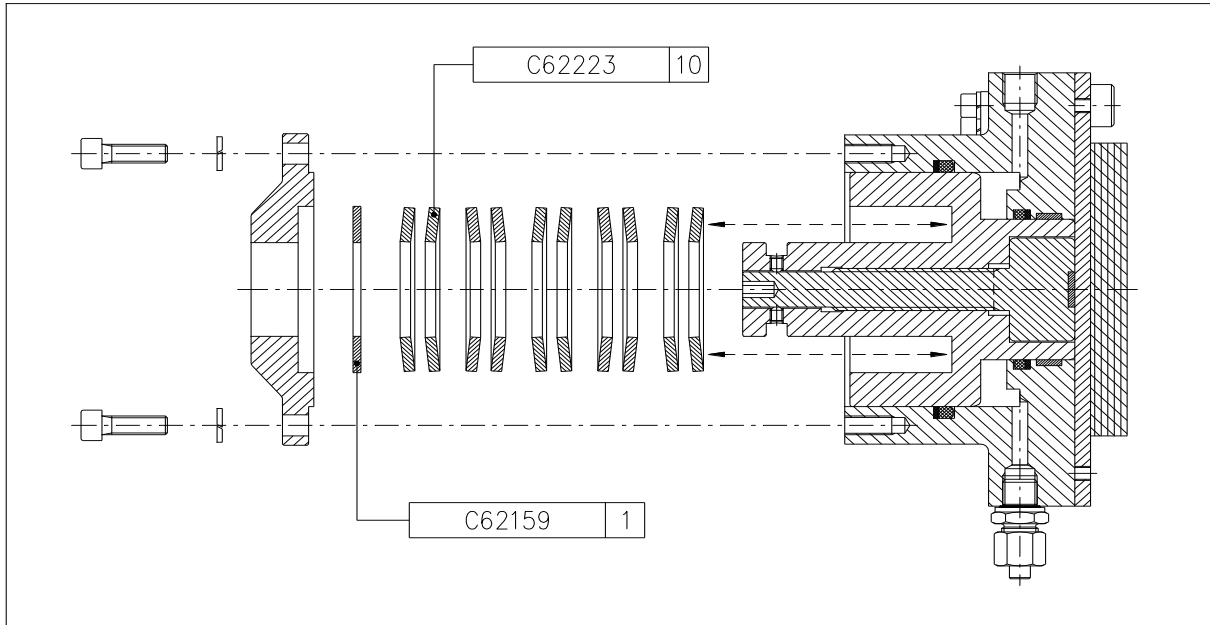


Figure 3 – Position of the cup springs for the ID 900N-30kN brake

7. Put back the cover (D71295) on the brake body (E80880) using the screws (C61450) complete with washers (C61320). Screw in the M8 class 10.9 (C61450) screws in a diagonal sequence with a tightening torque of 34 Nm
8. Connect the power line, power up the brake and insert the safety hook (C62160) in its seat of the thruster which protrudes from the cover.
9. Cut off the control pressure and disconnect the power line.
10. Reinstall the brake on the machine.
11. Reconnect the power line and power up the brake.
12. Remove the safety hook (C62160) and bleed air from the circuit as described in point 5 of section 7.

9.5. Changing the cup springs (ID 900N-15kN)

1. Remove the springs as described from point 1 to point 6 in section 9.3.
2. Unscrew the anchoring screws (C61450) cautiously proceeding in a diagonal sequence and then remove the cover (D71295).



Take special care during these operations as the brake contains preloaded springs, proceed therefore gradually with the utmost care and attention so that they are completely released and do not jeopardize any aspects of safety.

3. Remove two shims C62159, ten cup springs C62223 and one shim C62159. Replace all the cup springs including those which seem to be in good condition (replace the shims only if necessary).

4. Clean any excess grease from the bottom of the cover and the thruster.
5. Lubricate the cup springs and the part of the thruster in which they are housed with copper paste MOLYguard COMPOUND RA/40 (or similar), before proceeding with reassembly.
6. Insert in the thruster (D71296) the following parts in the following order: 1 shim C62159, N. 8 cup springs C62223, 2 shims C62159.



Position the cup springs correctly so that they do not affect the good operation of the brake (Figure 4). Incorrect assembly will result in a tangential force different to what is stated in this manual; the braking torque provided by the safety component will consequently be different to what is desired and to the detriment of safety aspects.

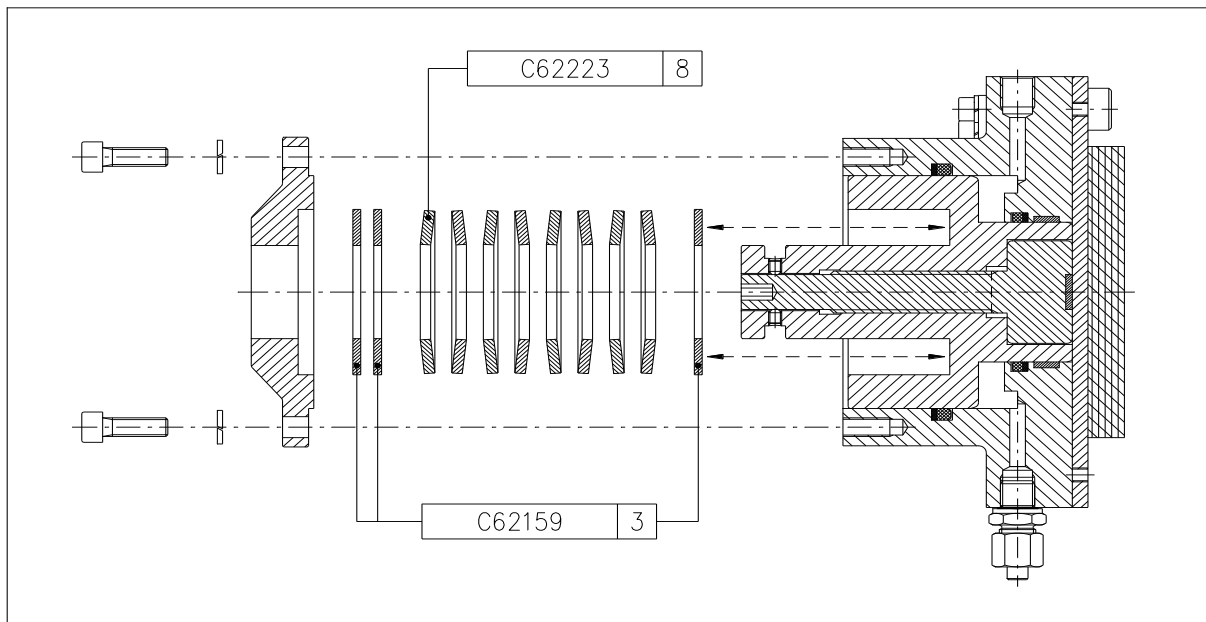




Figure 4 – Position of the cup springs for the ID 900N-15kN brake

7. Put back the cover (D71295) on the brake body (E80880) using the screws (C61450) complete with washers (C61320). Tighten the M8 class 10.9 (C61450) in a diagonal sequence with tightening torque 34 Nm.
8. Connect the power line, power up the brake and insert the safety hook (C62160) in its seat in the thruster which protrudes from the cover.
9. Cut off the control pressure and disconnect the power line.
10. Reinstall the brake on the machine.
11. Reconnect the power line and power up the brake.
12. Remove the safety hook (C62160) and bleed air from the circuit as described in point 5 of section 7.

	User and Maintenance Manual <i>Failsafe hydraulic brake ID 900N</i>		Model ID 900N-15 Model ID 900N-30
	Date: 2014/07/29	Revision: 1.1	www.coremo.it

9.6. Periodic maintenance



All inspections must be done with the machine switched off.
Although the intervals between these inspections depend on the frequency of use of the brake, they should be done every 3 months in any case so as not to compromise all aspects of safety.

1. Check that the play between the disc and each brake lining is 1 mm. If the play encountered is greater, reset the original play as described in section 9.1.
2. There is a wear line on the brake lining, however, it is advisable to check that the wear of each lining does not exceed 8 mm in order not to compromise the correct operation and good working condition of the brake. When the lining pads reach maximum wear replace them as described in section 9.2.
3. Check that the surfaces of the brake linings and the disc are not contaminated with grease, oil or similar substances which prevent the brake from working efficiently.
4. Check that the cup springs are lubricated well.
5. Check that the anchor screws of the brake have been tightened correctly.
6. Check that the hoses are undamaged.
7. Apply the brake repeatedly to check that the gaskets are undamaged and the springs are working correctly.

10. Spare parts list

In order to avoid costly down time we suggest keeping a stock of the spare parts listed below adequate for the number of brakes in use (the quantities indicate are for each brake):

Lining pads:	Qty. 2 [ST11] Qty. 2 [ST12]	cod. Z50342 cod. Z50359
Cup springs:	Qty. 20 [ID 900N-30] Qty. 16 [ID 900N-15]	cod. C62223 cod. C62223
Shims:	Qty. 2 [ID 900N-30] Qty. 6 [ID 900N-15]	cod. C62159 cod. C62159
Sealing ring kit:	Qty. 2 gaskets Qty. 2 gaskets Qty. 2 guide rings	cod. C62163 cod. C62162 cod. C62161

These spare parts must be kept if possible in a dark cool place and away from substances that could damage their capacity to work properly.